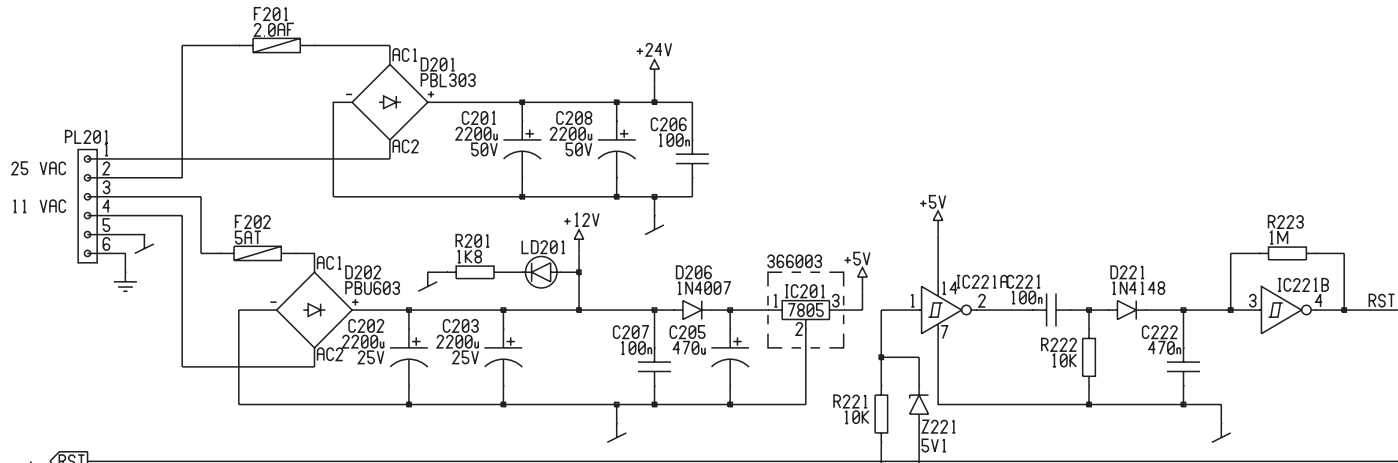


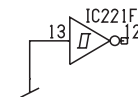
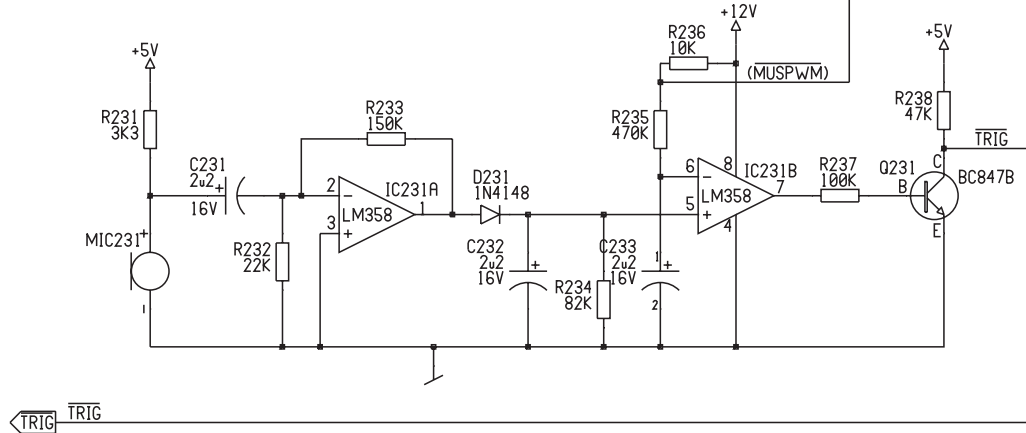
PAGE 2
 PAGE 4
 PAGE 3+4
 PAGE 4
 PAGE 3

PRODUCT		ENG.	
IMAGE SCAN		Martin Professional A/S	
PCB ASSEMBLY		REVISION A01	PAGE 1 OF 4
NAME 919100		DRAWN BY BH	
		DATE 29/4/97	TIME 9:41

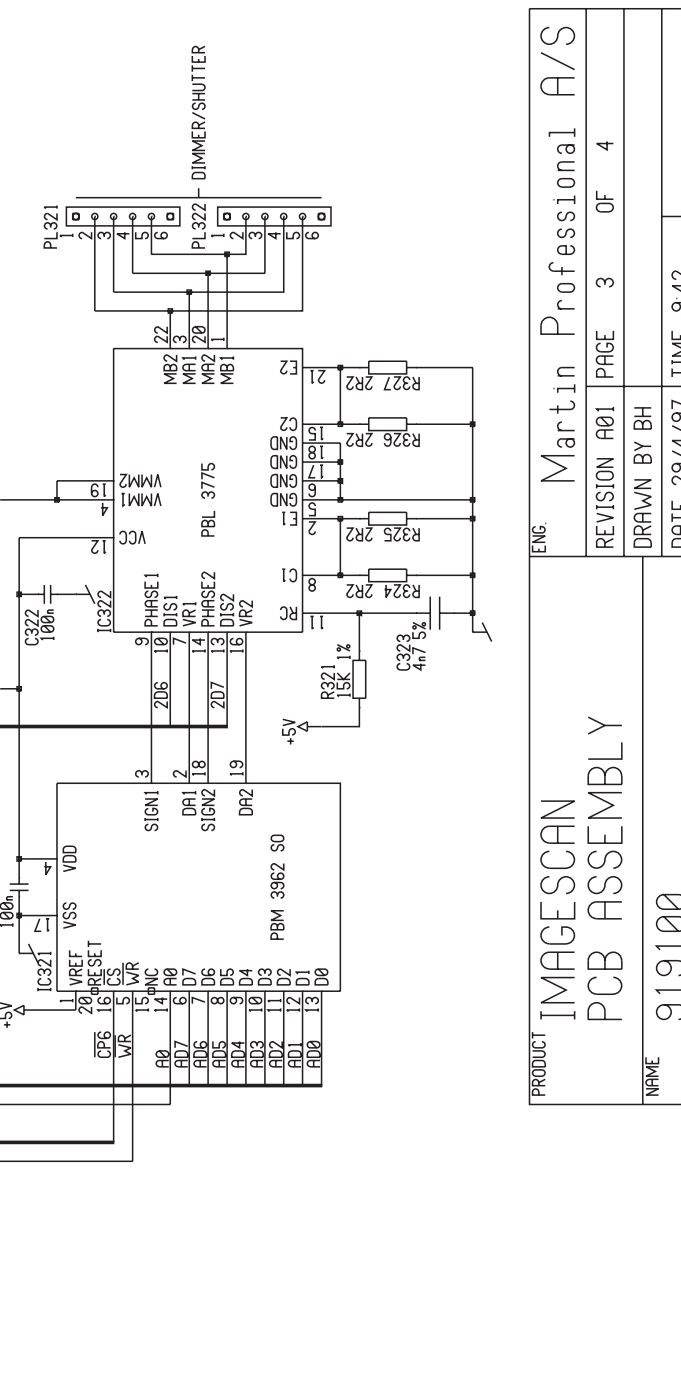
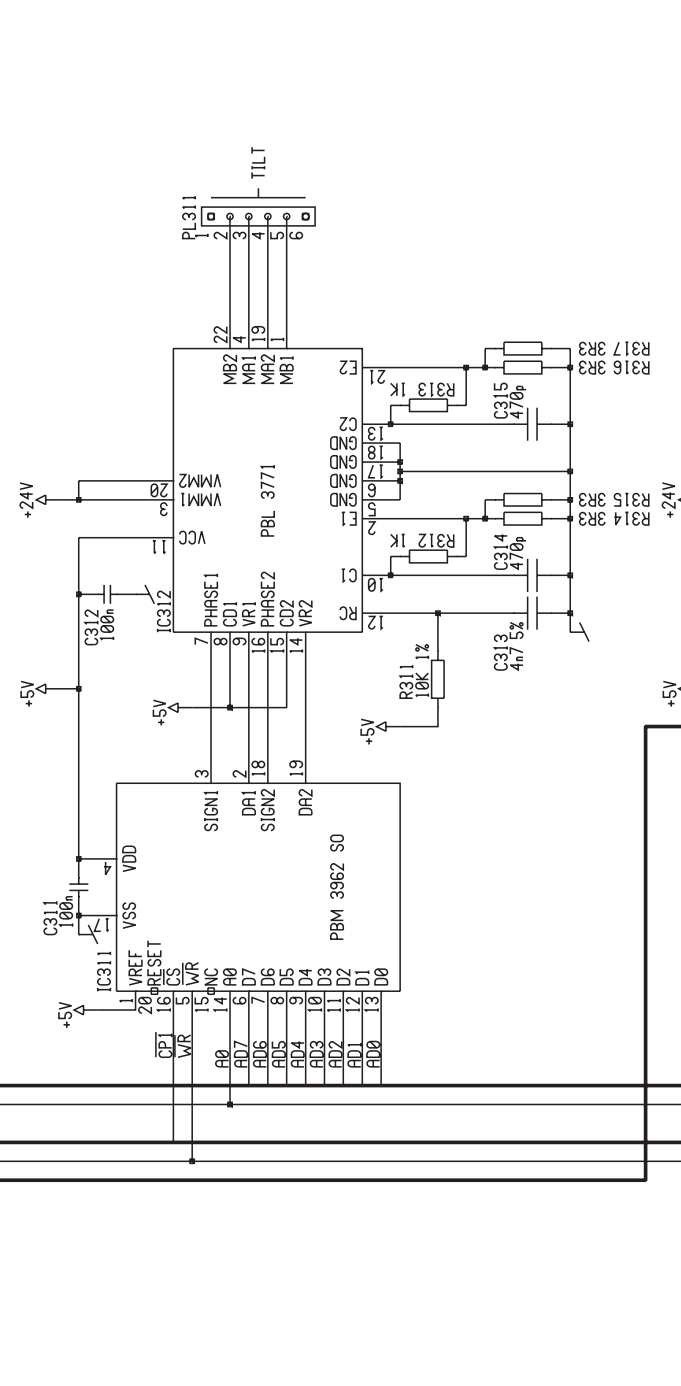
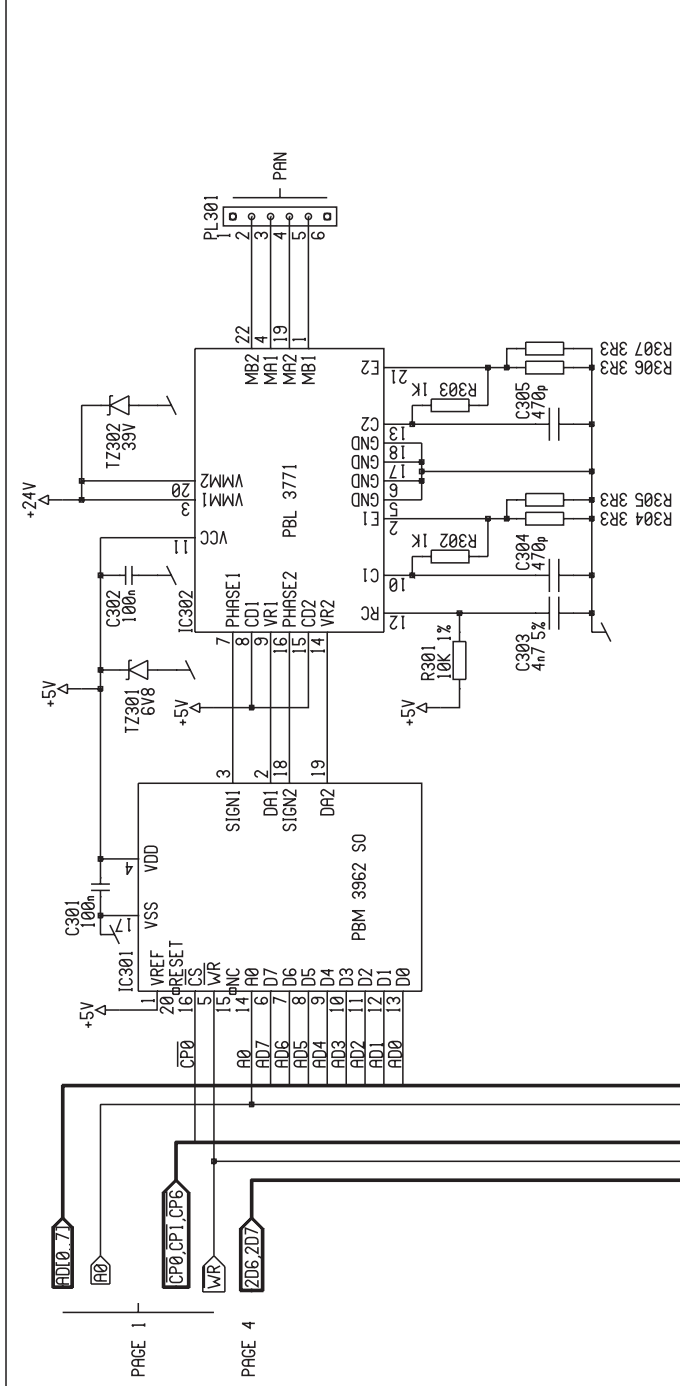


507 507 | PAGE 4

PAGE 1



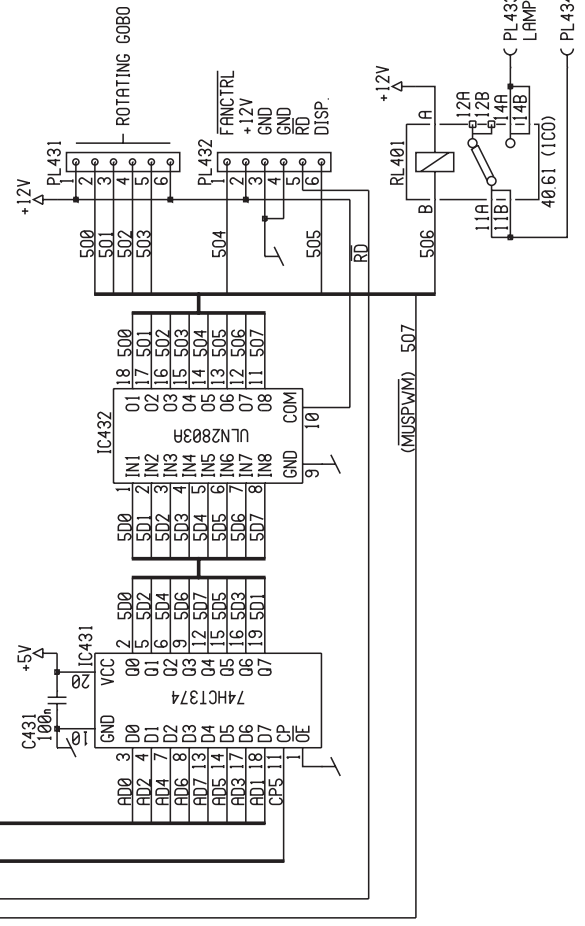
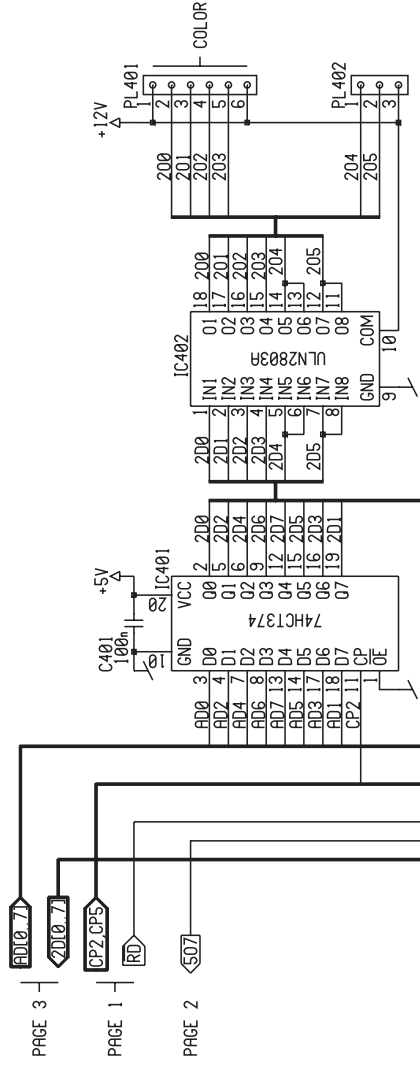
PRODUCT		IMAGESCAN		ENG.		Martin Professional A/S	
		PCB ASSEMBLY		REVISION		A01 PAGE 2 OF 4	
NAME		919100.SYM		DRAWN BY		BH	
				DATE		29/4/97 TIME 9:41	



PAGE 1

PAGE 4

PRODUCT	IMAGESCAN PCB ASSEMBLY		
ENG	Martin Professional A/S		
REVISION	A01	PAGE	3 OF 4
DRAWN BY	BH		
DATE	29/4/97		
TIME	9:42		
NAME	919100		



PRODUCT	IMAGESCAN			ENG	Martin Professional A/S		
	PCB ASSEMBLY				REVISION	A01	PAGE 4 OF 4
NAME	919100				DRAWN BY	BH	
					DATE	29/4/97	TIME 9:42